



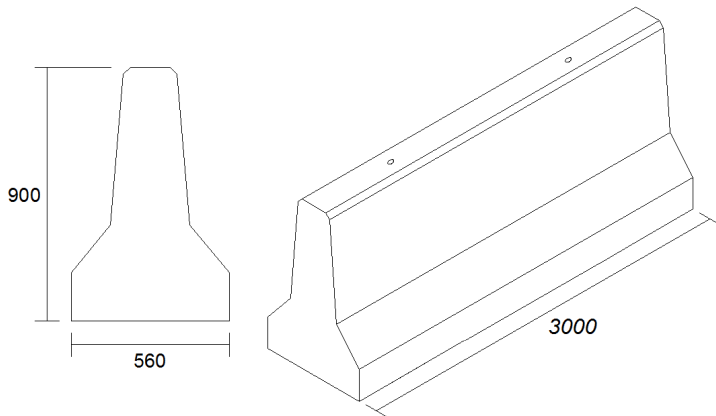
# CONCRETE BARRIERS



Road, Security, Construction

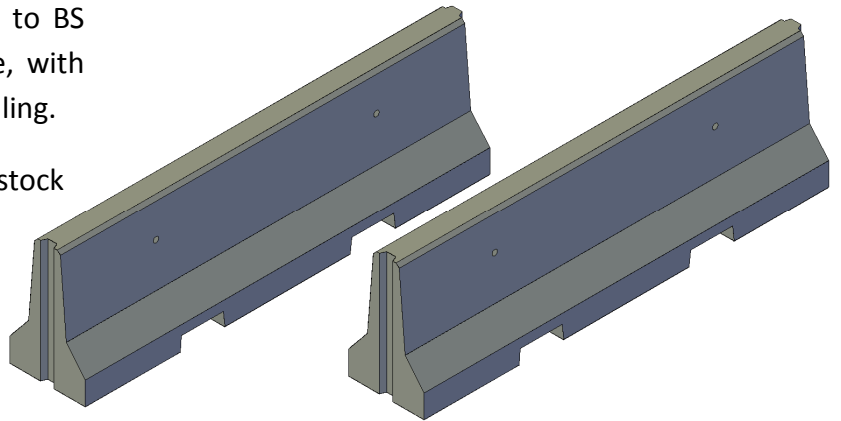
# CONCRETE BARRIERS

Concrete Barriers are a recognised system used for the construction of permanent or temporary partitions. The ability to be removed and reused in other locations makes them the ideal structure. The wide base section provides heavy ballast meaning units can be used singularly



The SPS Concrete Barrier is manufactured to BS EN Standards from high strength concrete, with optional forklift slots for safe and easy handling.

Our Great Yarmouth and Dundee branches stock standard size units allowing for a fast turnaround from order to delivery.



- **Traffic Management**
- **Car parks**
- **Residential**
- **Construction**
- **Agricultural**
- **Storage Bays**
- **Flood Prevention**
- **Security**

More information on Concrete Barriers can be found on our website



Sales  
Tel: 01493 600 700  
Email: [enquiries@sps-gb.com](mailto:enquiries@sps-gb.com)  
Website: [www.sps-solutions.co.uk](http://www.sps-solutions.co.uk)

